

**27U 600 X 1000 MM**

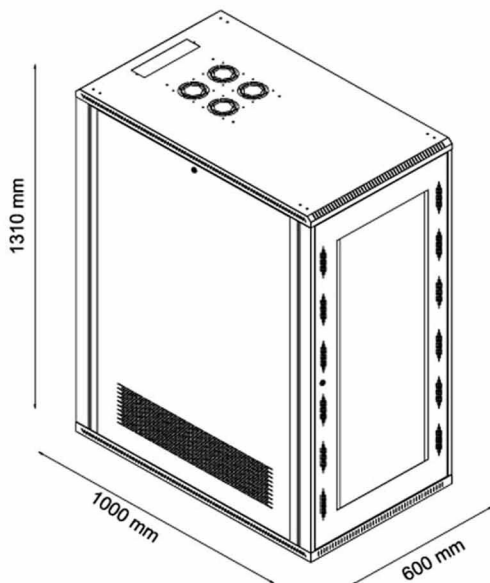


**STANDARD MODEL**



**FEATURES**

- ◆ Exquisite Design with Precise dimension
- ◆ Static Loading 800kgs | Adjustable Heavy duty Castors
- ◆ Removable Side Panels | Cable entry Top & Bottom
- ◆ Turing angle of front and rear door over 180°
- ◆ Powder coated with Ten tank pretreatment process meeting ASTM std all RAL 9005 | Numbered U positions
- ◆ HiTech Manufacturing|Quality Management System
- ◆ DIN 41494/Equivalent 19" International Standards
- ◆ Front Toughened Glass Door with lock & key
- ◆ Material SPCC Quality Cold Rolled Sheet



**SPECIFICATION**

Model No	MFS STD 100 27
Capacity	27U
Width	600 mm
Depth	1000 mm
Height	1310 mm
Usable Depth	850 mm
Usable Height	1263 mm
Castor Height	100 mm
Total Height	1410 mm