

22U 600 X 600 MM

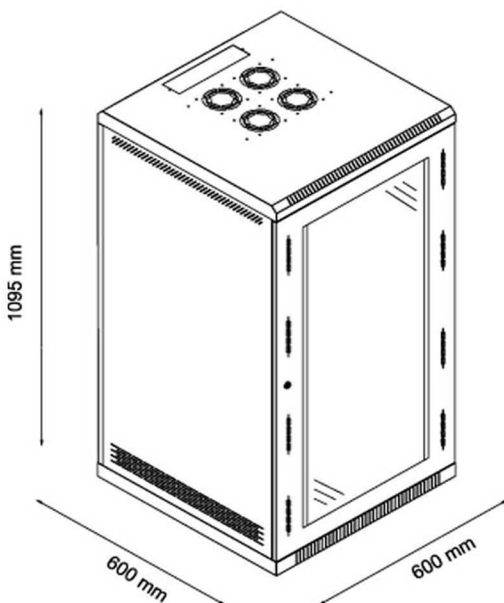


STANDARD MODEL



FEATURES

- ◆ Exquisite Design with Precise dimension
- ◆ Static Loading 600kgs | Adjustable Castor wheels
- ◆ Cable entry Top & Bottom | Numbered U positions
- ◆ Turing angle of front and rear door over 180°
- ◆ Powder coated with Ten tank pretreatment process meeting ASTM std. Frame RAL 7035 & door RAL 7037
- ◆ HiTech Manufacturing | Quality Management System
- ◆ DIN 41494/Equivalent 19" International Standards
- ◆ Front toughened glass door/Back steel door with lock
- ◆ Material SPCC Quality Cold Rolled Sheet



SPECIFICATION

Model No	MFN STD 060 22
Capacity	22U
Width	600 mm
Depth	600 mm
Height	1095 mm
Usable Depth	500 mm
Usable Height	995 mm
Castor Height	75 mm
Total Height	1170 mm