

**17U 600 X 600 MM**

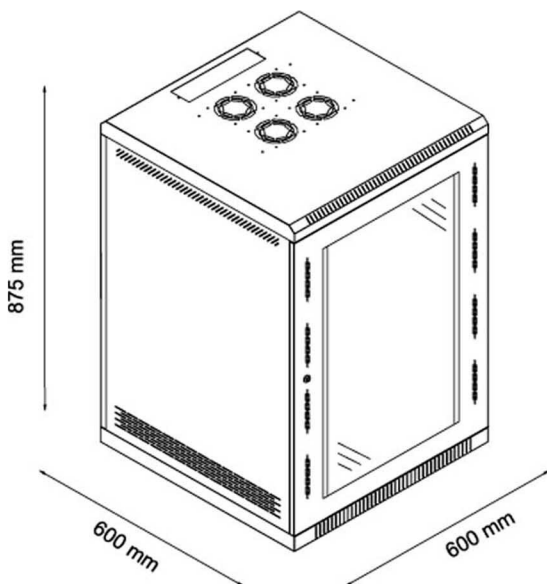


**STANDARD MODEL**



**FEATURES**

- ◆ Exquisite Design with Precise dimension
- ◆ Static Loading 600kgs | Adjustable Castor wheels
- ◆ Cable entry Top & Bottom | Numbered U positions
- ◆ Turing angle of front and rear door over 180°
- ◆ Powder coated with Ten tank pretreatment process meeting ASTM std. Frame RAL 7035 & door RAL 7037
- ◆ HiTech Manufacturing | Quality Management System
- ◆ DIN 41494/Equivalent 19" International Standards
- ◆ Front toughened glass door/Back steel door with lock
- ◆ Material SPCC Quality Cold Rolled Sheet



**SPECIFICATION**

SPECIFICATION	
Model No	MFN STD 060 17
Capacity	17U
Width	600 mm
Depth	600 mm
Height	875 mm
Usable Depth	500 mm
Usable Height	771 mm
Castor Height	75 mm
Total Height	946 mm