

12U 550 X 500 MM

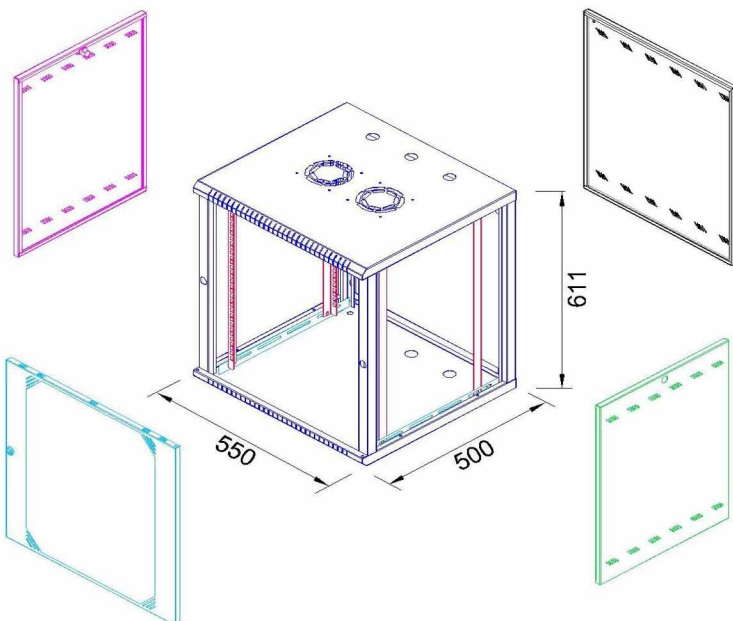


EXECUTIVE MODEL



FEATURES

- ◆ 19" Standard as DIN 41494/Equivalent | State-of-the art HiTech Manufacturing & Quality Management System
- ◆ Convenient Wall mounting with Additional provision for Floor mounting & Table mounting options.
- ◆ Front Toughened Glass Door & Side ventilated steel doors with lock & key, Back ventilated removable Panel
- ◆ SPCC Quality Cold Rolled Sheet, Welded Frame, Exquisite Design, Reliable structure & High Craftmanship
- ◆ Powder coated with Ten tank pretreatment process meeting ASTM std Frame RAL 7035 Door RAL 7037
- ◆ Numbered U positions | Cable entry on Top & Bottom with Cromet | Turing angle of front door over 180°



SPECIFICATION

Model No	MWM EXE 050 12
Capacity	12U
Width	550 mm
Depth	500 mm
Height	611 mm
Usable Depth	385 mm
Usable Height	551 mm
Mounting Width	518 mm
Mounting Height	495 mm