

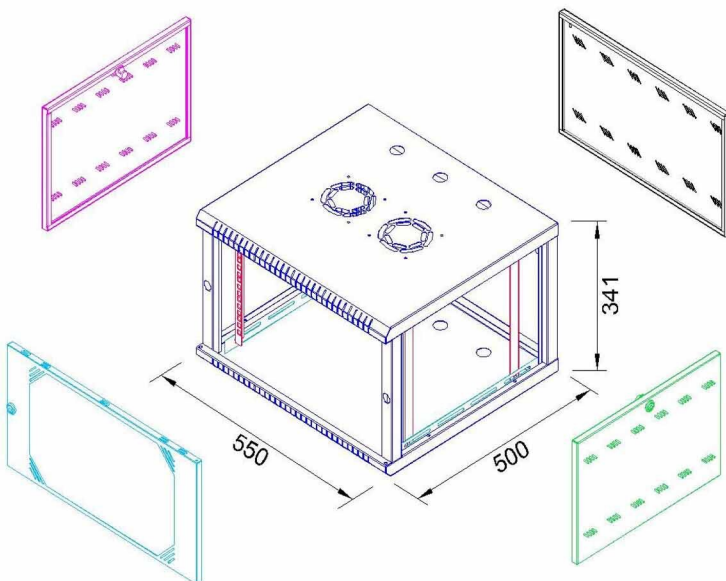
6U 550 X 500 MM



EXECUTIVE MODEL

FEATURES

- ◆ 19" Standard as DIN 41494/Equivalent | State-of-the art HiTech Manufacturing & Quality Management System
- ◆ Convenient Wall mounting with Additional provision for Floor mounting & Table mounting options.
- ◆ Front Toughened Glass Door & Side ventilated steel doors with lock & key, Back ventilated removable Panel
- ◆ SPCC Quality Cold Rolled Sheet, Welded Frame, Exquisite Design, Reliable structure & High Craftmanship
- ◆ Powder coated with Ten tank pretreatment process meeting ASTM std Frame RAL 7035 Door RAL 7037
- ◆ Numbered U positions | Cable entry on Top & Bottom with Cromet | Turing angle of front door over 180°



SPECIFICATION

| | |
|-----------------|----------------|
| Model No | MWM EXE 050 06 |
| Capacity | 6U |
| Width | 550 mm |
| Depth | 500 mm |
| Height | 341 mm |
| Usable Depth | 385 mm |
| Usable Height | 281 mm |
| Mounting Width | 518 mm |
| Mounting Height | 227 mm |