

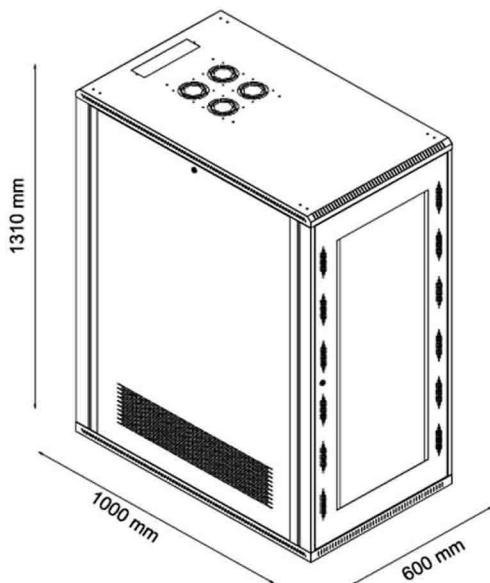
**27U 600 X 1000 MM**



**STANDARD MODEL**

**FEATURES**

- ◆ Exquisite Design with Precise dimension
- ◆ Static Loading 800kgs | Adjustable Heavy duty Castors
- ◆ Removable Side Panels | Cable entry Top & Bottom
- ◆ Turing angle of front and rear door over 180°
- ◆ Powder coating frame RAL 7035 door RAL 7016
- ◆ Reliable Structure with high Craftmanship
- ◆ Compatible with 19" International Standards
- ◆ Front Toughened Glass Door with lock & key
- ◆ Material SPCC Quality Cold Rolled Sheet
- ◆ HiTech Manufacturing|Quality Management System



**SPECIFICATION**

Model No	MFS STD 100 27
Capacity	27U
Width	600 mm
Depth	1000 mm
Height	1310 mm
Usable Depth	850 mm
Usable Height	1263 mm
Castor Height	100 mm
Total Height	1410 mm